

DISCOVER THE FIREPLACE OF YOUR DREAMS!



# TECHNICAL SPECIFICATIONS

BIO ETHANOL FIRES

ELEMENT





## A FIREPLACE THAT MATCHES YOUR DNA

"At Element4 we have a clear ambition: to make the impossible come true. We love to think outside of the box. This results in a wide range of innovative fireplaces with powerful designs and beautiful flame pictures. It is precisely this combination that ensures that our brand is loved worldwide by design enthusiasts and architects alike.

Our promise? A fireplace with great features that will enhance any interior. We hope that this brochure will convince you of that too."

A handwritten signature in black ink, appearing to read 'Jan Kempers', with a long horizontal line extending from the end of the signature.

**Jan Kempers**  
**President and Founder**

# TABLE OF CONTENTS

Fireplace	Specifications
Bio Ethanol fire Insert	
<b>BIO 50I</b>	<b>PAGE 4</b>
Bio Ethanol fire Stove	
<b>OVATION B</b>	<b>PAGE 5</b>
Bio Ethanol fire Front	
<b>SUMMUM 140 F B</b>	<b>PAGE 6</b>
<b>SKY SMALL FRONT B</b>	<b>PAGE 7</b>
<b>SKY MEDIUM FRONT B</b>	<b>PAGE 8</b>
<b>SKY LARGE FRONT B</b>	<b>PAGE 9</b>
Bio Ethanol fire Corner	
<b>SUMMUM 140 C B</b>	<b>PAGE 10</b>
Bio Ethanol fire See-through	
<b>SUMMUM 140 T B</b>	<b>PAGE 11</b>
<b>SKY SMALL TUNNEL B</b>	<b>PAGE 12</b>
<b>SKY MEDIUM TUNNEL B</b>	<b>PAGE 13</b>
<b>SKY LARGE TUNNEL B</b>	<b>PAGE 14</b>
Bio Ethanol fire 3-Sided/ Bay	
<b>SUMMUM 140 3S B</b>	<b>PAGE 15</b>
Bio Ethanol fire Peninsula	
<b>SUMMUM 140 R B</b>	<b>PAGE 16</b>
<b>SKY SMALL ROOMDIVIDER B</b>	<b>PAGE 17</b>
<b>SKY MEDIUM ROOMDIVIDER B</b>	<b>PAGE 18</b>
<b>SKY LARGE ROOMDIVIDER B</b>	<b>PAGE 19</b>
Bio Ethanol fire Island	
<b>SUMMUM 140 4/S B</b>	<b>PAGE 20</b>



Bio Ethanol fire

# BIO 50I

Bio Ethanol burner

Bio Ethanol (min-max): 17,060 - 23,880 BTU

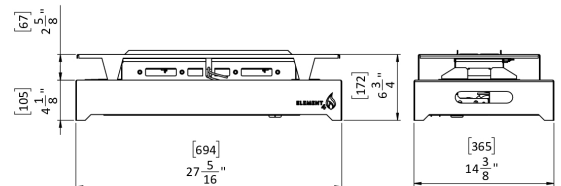
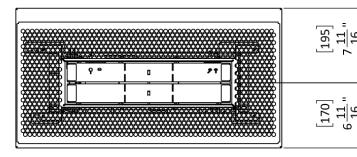
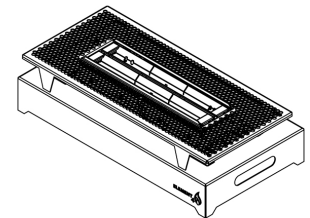
Energy efficiency class: A++

Remote control: (standard)

Access door: (optional)

Convection grills built-in and surface-mounted: (optional)

## BIO 50I





Bio Ethanol fire

# OVATION B

Bio Ethanol burner

Bio Ethanol (min-max): 10,236 - 13,648 BTU

Energy efficiency class: A+

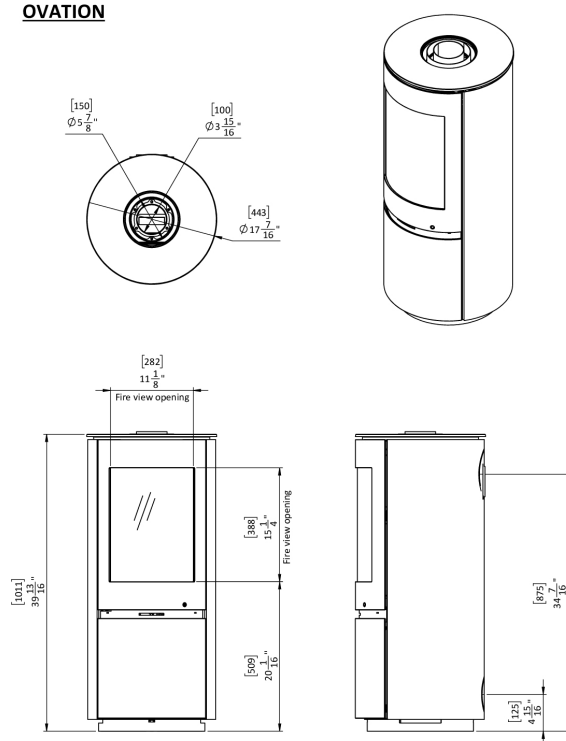
Venting ø (inch): 4" x 6"

Black steel: (Standard)

Black reflective panels: (Optional)

Remote control: (standard)

## OVATION





Bio Ethanol fire

## SUMMUM 140 F B

Bio Ethanol burner

Bio Ethanol (min-max): 17,060 - 23,880 BTU

Energy efficiency class: A++

Venting  $\varnothing$  (inch): 5" x 8"

Black steel: (Standard)

Black reflective panels: (Optional)

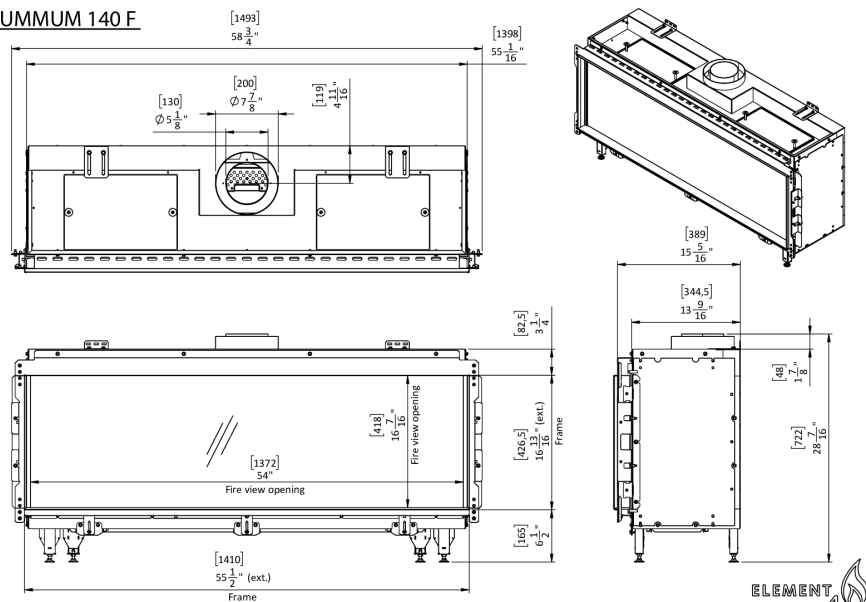
Remote control: (standard)

Anti-reflective glass: (optional)

Access door: (optional)

Convection grills built-in and surface-mounted: (optional)

SUMMUM 140 F



ELEMENT 

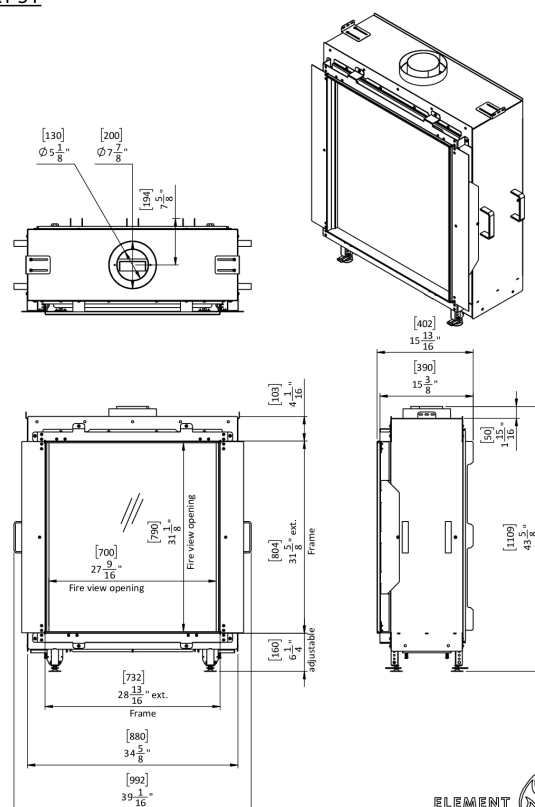


Bio Ethanol fire

## SKY SMALL FRONT B

Bio Ethanol burner	
Bio Ethanol (min-max):	17,060 - 23,880 BTU
Energy efficiency class:	A+
Venting ø (inch):	5" x 8"
Black steel:	(Standard)
Black reflective panels:	(Optional)
Remote control:	(standard)
Powerfan:	(optional)
Anti-reflective glass:	(optional)
Access door:	(optional)
Convection grills built-in and surface-mounted:	(optional)

SKY S F



ELEMENT 4

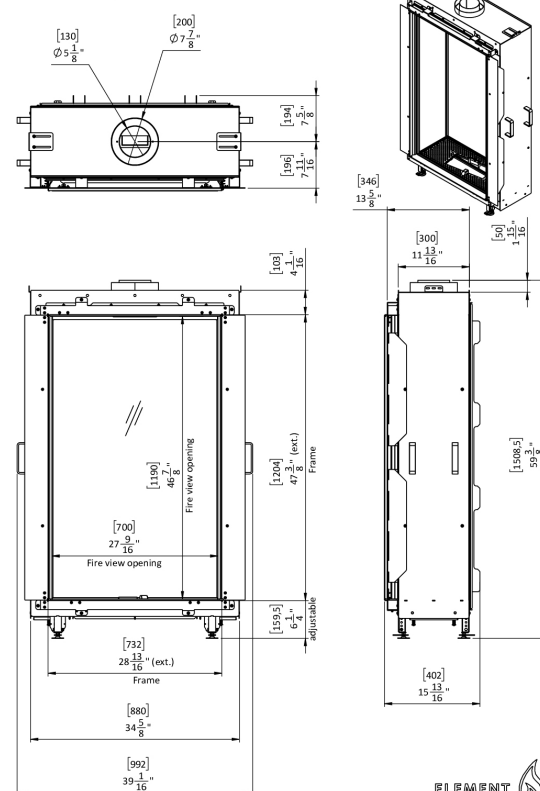


Bio Ethanol fire

## SKY MEDIUM FRONT B

Bio Ethanol burner	
Bio Ethanol (min-max):	17,060 - 23,880 BTU
Energy efficiency class:	A+
Venting ø (inch):	5" x 8"
Remote control:	(standard)
Powerfan:	(optional)
Anti-reflective glass:	(optional)
Access door:	(optional)
Convection grills built-in and surface-mounted:	(optional)

SKY MEDIUM F



ELEMENT 4





Bio Ethanol fire

## SKY LARGE FRONT B

Bio Ethanol burner  
 Bio Ethanol (min-max): 17,060 - 23,880 BTU

Energy efficiency class: A+

Venting ø (inch): 5" x 8"

Black steel: (Standard)

Black reflective panels: (Optional)

Remote control: (standard)

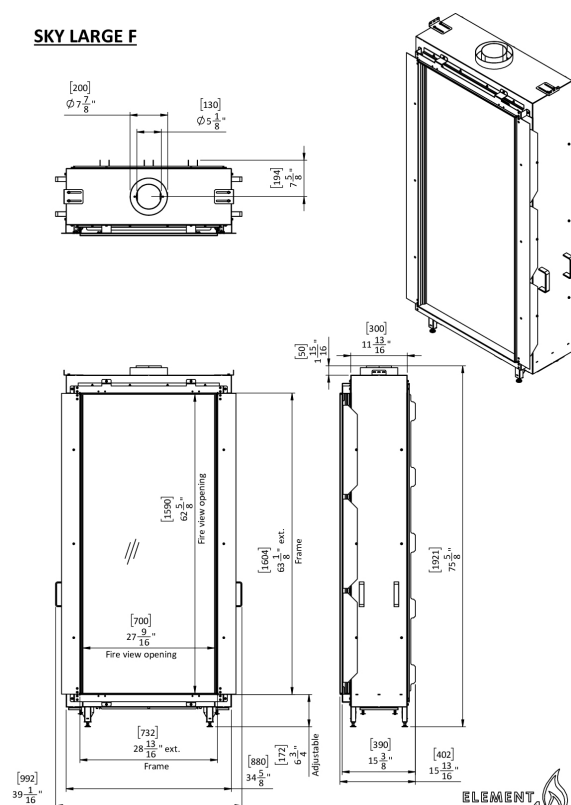
Powerfan: (optional)

Anti-reflective glass: (optional)

Access door: (optional)

Convection grills built-in and surface-mounted: (optional)

SKY LARGE F





Bio Ethanol fire

# SUMMUM 140 C B

Bio Ethanol burner

Bio Ethanol (min-max): 17,060 - 23,880 BTU

Energy efficiency class: A++

Venting ø (inch): 5" x 8"

Black steel: (Standard)

Black reflective panels: (Optional)

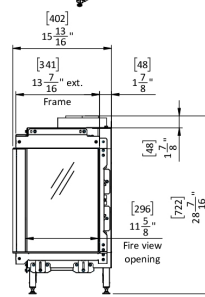
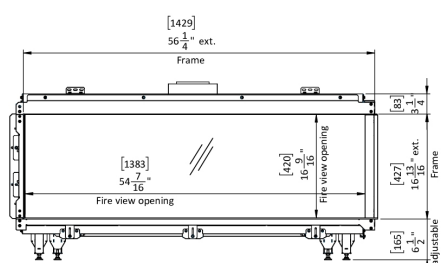
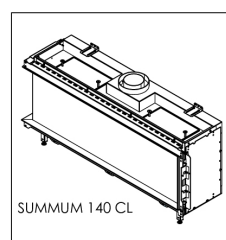
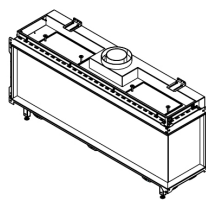
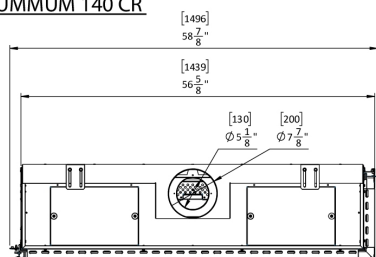
Remote control: (standard)

Anti-reflective glass: (optional)

Access door: (optional)

Convection grills built-in and surface-mounted: (optional)

SUMMUM 140 CR





Bio Ethanol fire

## SUMMUM 140 T B

Bio Ethanol burner

Bio Ethanol (min-max): 17,060 - 23,880 BTU

Energy efficiency class: A++

Venting ø (inch): 5" x 8"

Black steel: (Standard)

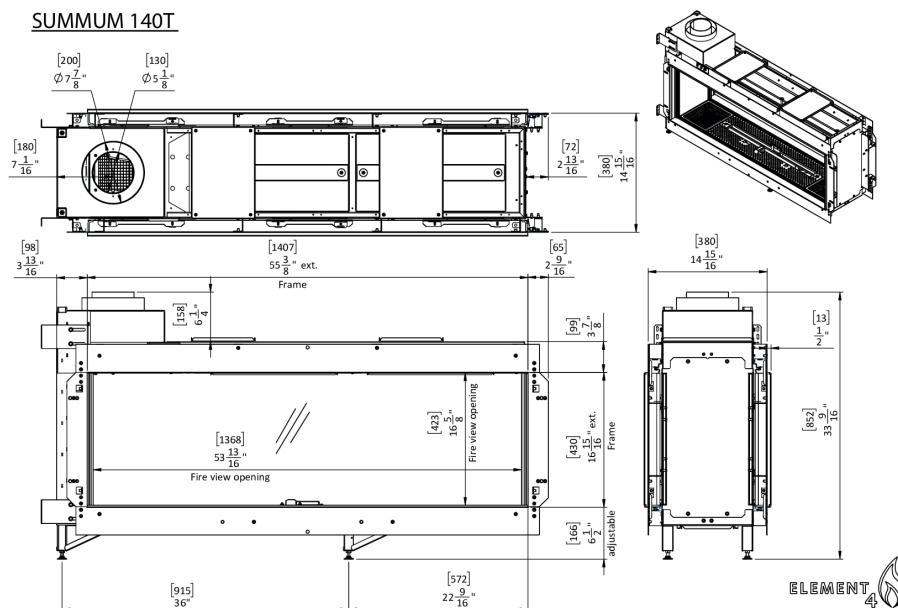
Black reflective panels: (Optional)

Remote control: (standard)

Anti-reflective glass: (optional)

Access door: (optional)

Convection grills built-in and surface-mounted: (optional)



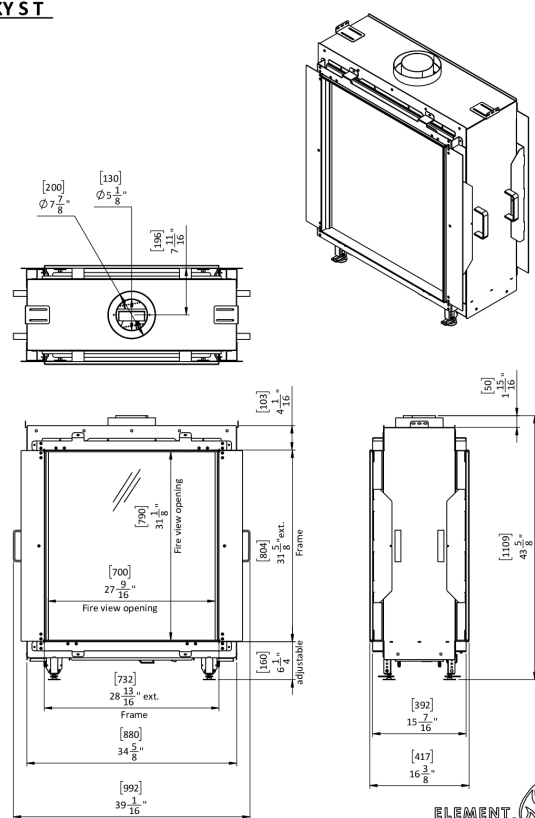


Bio Ethanol fire

## SKY SMALL TUNNEL B

Bio Ethanol burner	
Bio Ethanol (min-max):	17,060 - 23,880 BTU
Energy efficiency class:	A+
Venting ø (inch):	5" x 8"
Black steel:	(Standard)
Black reflective panels:	(Optional)
Remote control:	(standard)
Powerfan:	(optional)
Anti-reflective glass:	(optional)
Access door:	(optional)
Convection grills built-in and surface-mounted:	(optional)

SKY S T



ELEMENT 4

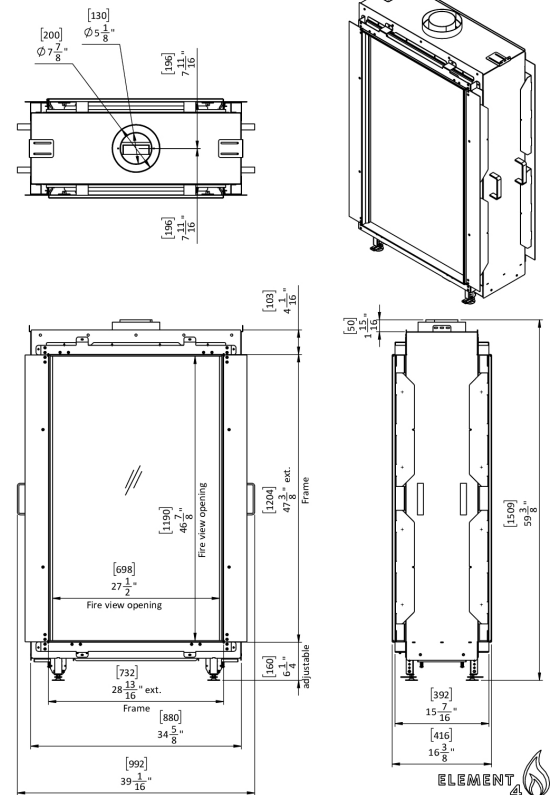


Bio Ethanol fire

## SKY MEDIUM TUNNEL B

Bio Ethanol burner	
Bio Ethanol (min-max):	17,060 - 23,880 BTU
Energy efficiency class:	A+
Venting ø (inch):	5" x 8"
Black steel:	(Standard)
Black reflective panels:	(Optional)
Remote control:	(standard)
Powerfan:	(optional)
Anti-reflective glass:	(optional)
Access door:	(optional)
Convection grills built-in and surface-mounted:	(optional)

SKY M T



ELEMENT 4

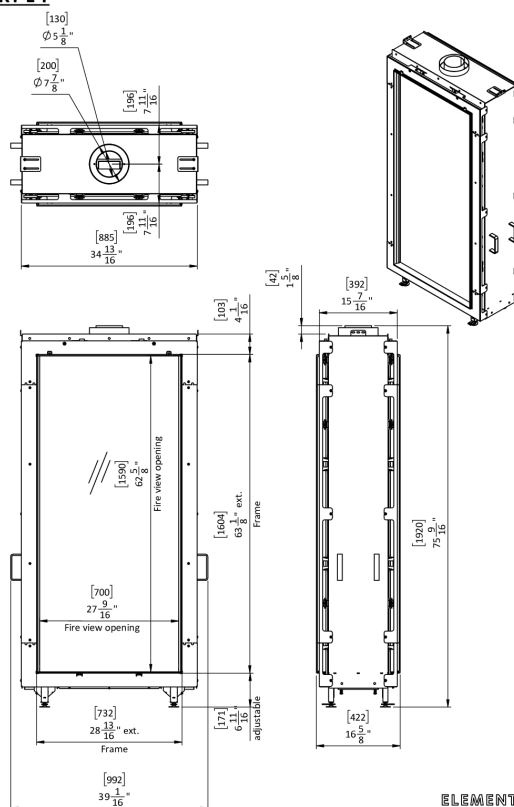


Bio Ethanol fire

## SKY LARGE TUNNEL B

Bio Ethanol burner	
Bio Ethanol (min-max):	17,060 - 23,880 BTU
Energy efficiency class:	A+
Venting $\varnothing$ (inch):	5" x 8"
Black steel:	(Standard)
Black reflective panels:	(Optional)
Remote control:	(standard)
Powerfan:	(optional)
Anti-reflective glass:	(optional)
Access door:	(optional)
Convection grills built-in and surface-mounted:	(optional)

SKY LT



ELEMENT 4

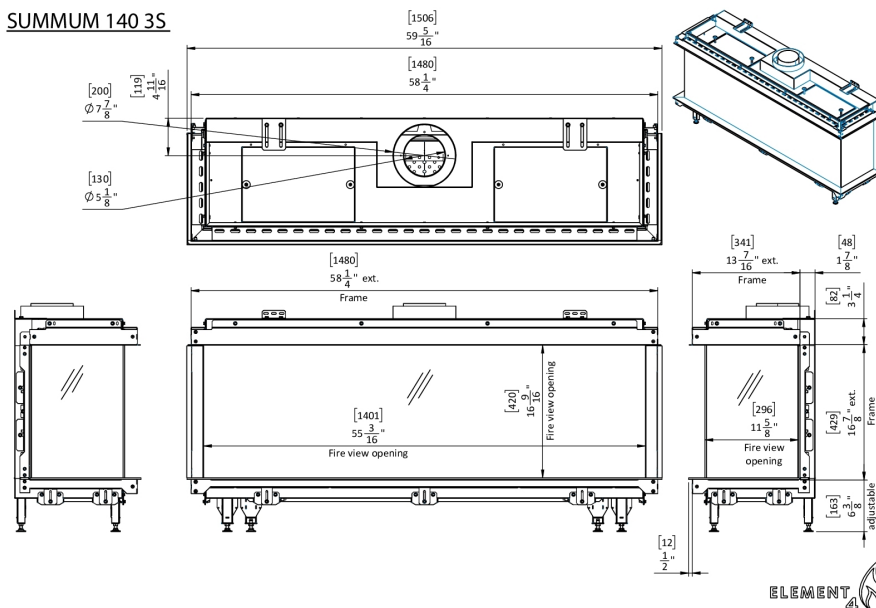


Bio Ethanol fire

## SUMMUM 140 3S B

Bio Ethanol burner	
Bio Ethanol (min-max):	17,060 - 23,880 BTU
Energy efficiency class:	A++
Venting ø (inch):	5" x 8"
Black steel:	(Standard)
Black reflective panels:	(Optional)
Remote control:	(standard)
Anti-reflective glass:	(optional)
Access door:	(optional)
Convection grills built-in and surface-mounted:	(optional)

SUMMUM 140 3S



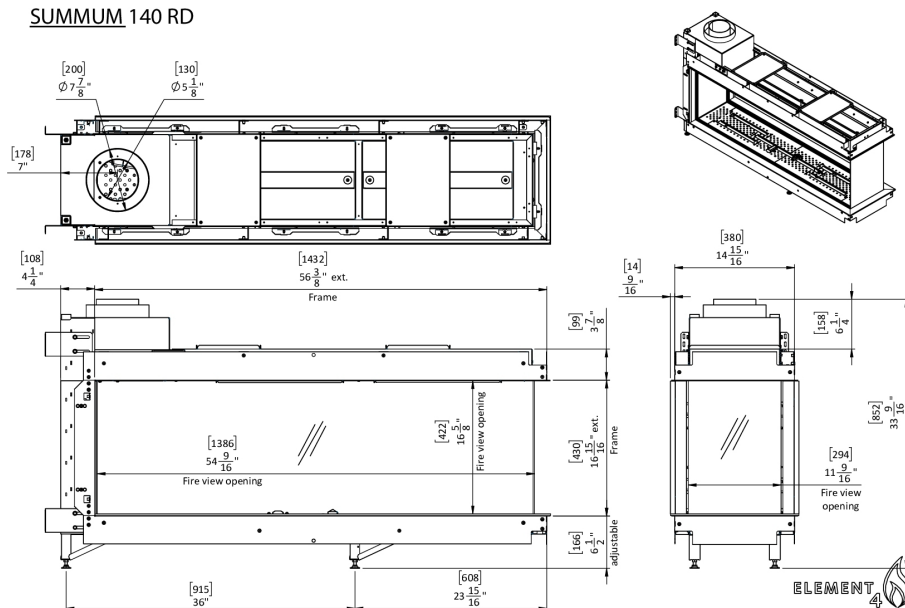


Bio Ethanol fire

## SUMMUM 140 R B

Bio Ethanol burner	
Bio Ethanol (min-max):	17,060 - 23,880 BTU
Energy efficiency class:	A++
Venting ø (inch):	5" x 8"
Black steel:	(Standard)
Black reflective panels:	(Optional)
Remote control:	(standard)
Anti-reflective glass:	(optional)
Access door:	(optional)
Convection grills built-in and surface-mounted:	(optional)

SUMMUM 140 RD



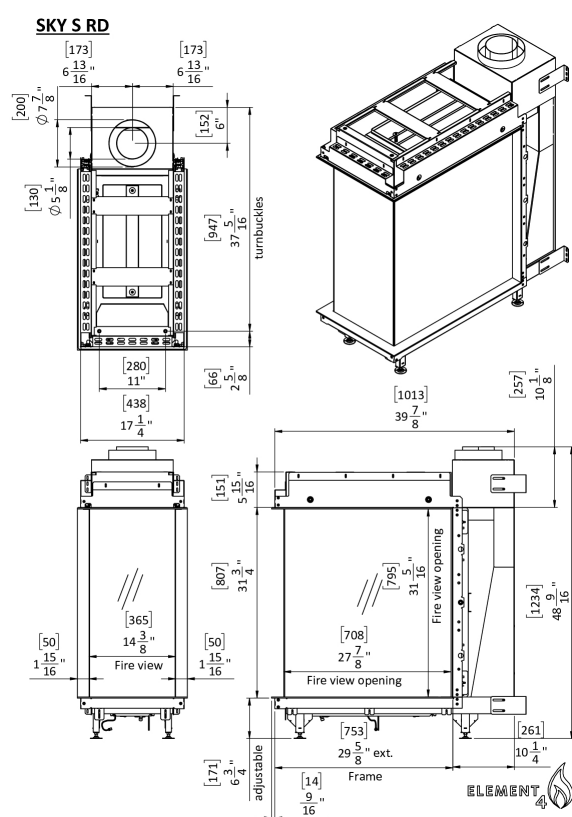




Bio Ethanol fire

## SKY SMALL ROOMDIVIDER B

Bio Ethanol burner	
Bio Ethanol (min-max):	17,060 - 23,880 BTU
Energy efficiency class:	A+
Venting ø (inch):	5" x 8"
Black steel:	(Standard)
Black reflective panels:	(Optional)
Remote control:	(standard)
Powerfan:	(optional)
Anti-reflective glass:	(optional)
Access door:	(optional)
Convection grills built-in and surface-mounted:	(optional)





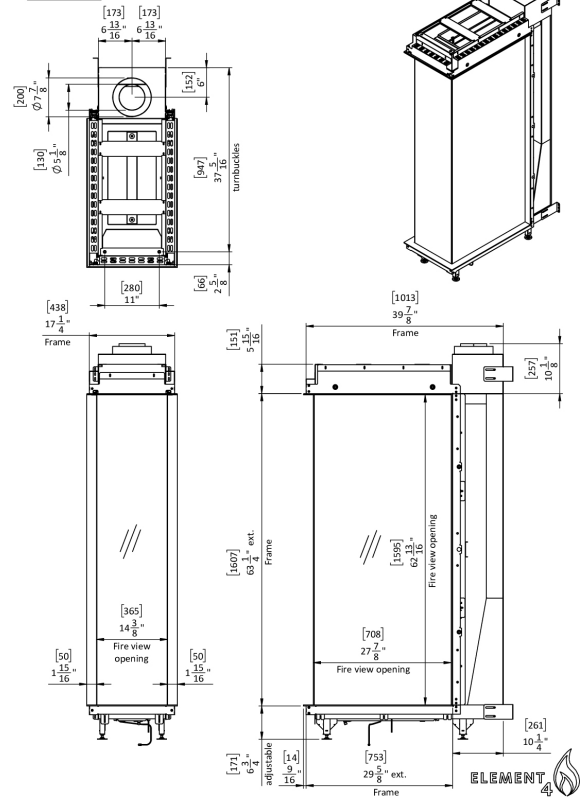


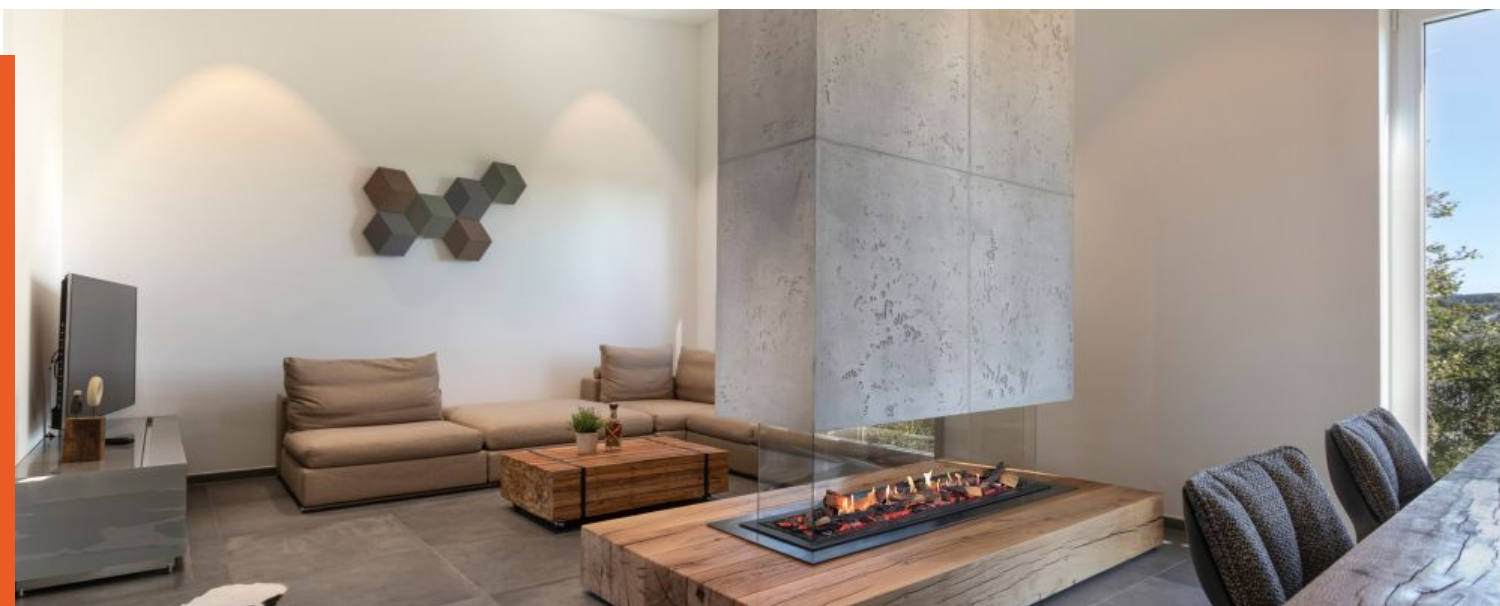
Bio Ethanol fire

## SKY LARGE ROOMDIVIDER B

Bio Ethanol burner	
Bio Ethanol (min-max):	17,060 - 23,880 BTU
Energy efficiency class:	A+
Venting ø (inch):	5" x 8"
Black steel:	(Standard)
Black reflective panels:	(Optional)
Remote control:	(standard)
Powerfan:	(optional)
Anti-reflective glass:	(optional)
Access door:	(optional)
Convection grills built-in and surface-mounted:	(optional)

SKY L RD





Bio Ethanol fire

## SUMMUM 140 4/S B

Bio Ethanol burner

Bio Ethanol (min-max): 17,060 - 23,880 BTU

Energy efficiency class: A++

Venting ø (inch): 5" x 8"

Black steel: (Standard)

Black reflective panels: (Optional)

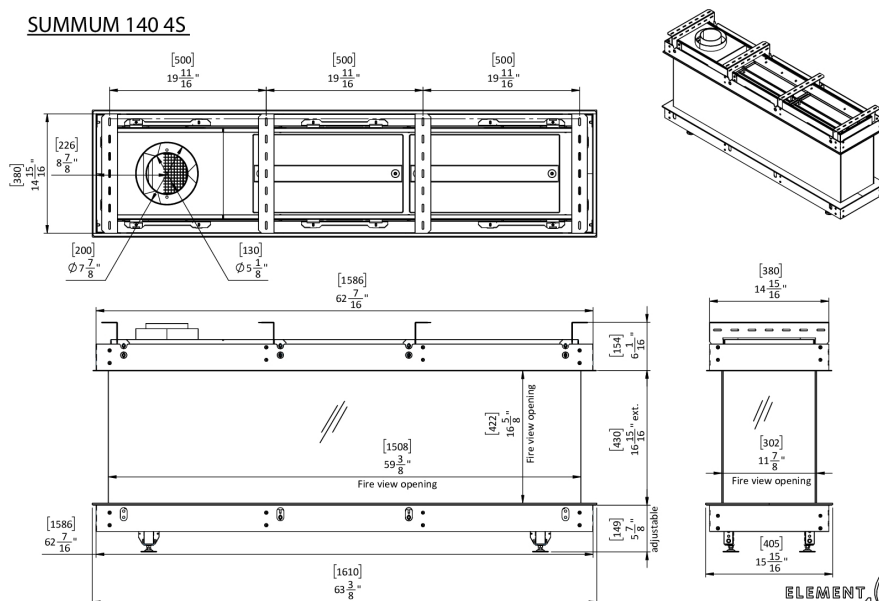
Remote control: (standard)

Anti-reflective glass: (optional)

Access door: (optional)

Convection grills built-in and surface-mounted: (optional)

SUMMUM 140 4S







**AN EXTRAORDINARY INTERIOR NEEDS A  
FIREPLACE FROM ELEMENT4**



**ELEMENT**  
**4** 

